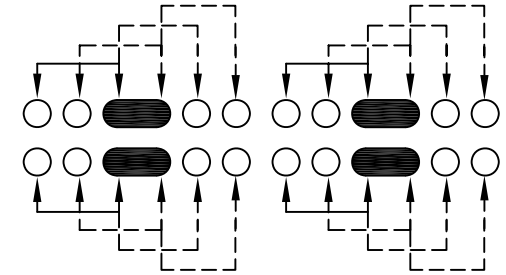
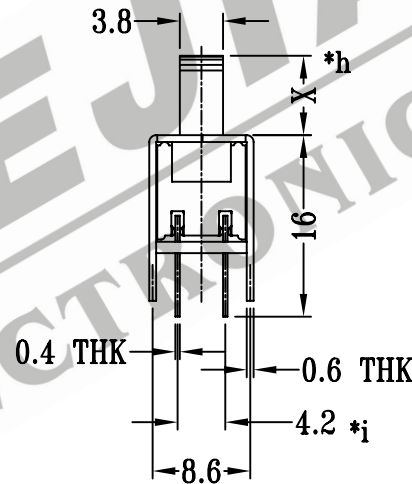
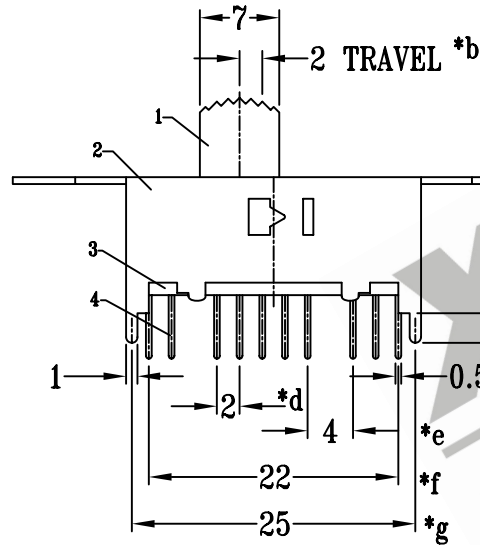
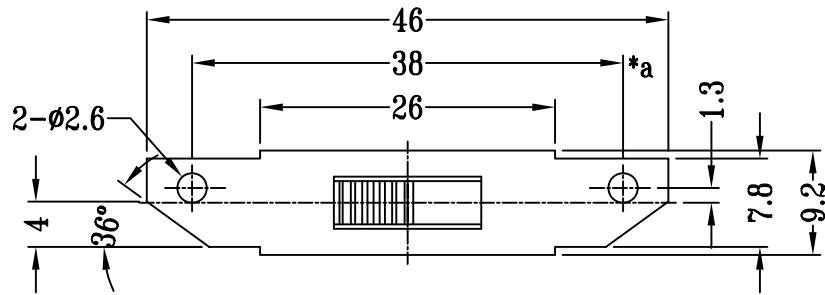
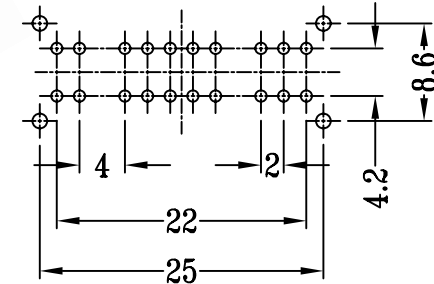


CAD FILE:



SCHEMATIC (SHORTING)



P.C.B LAYOUT

注:带"*"表示关键尺寸(9个)

NO.	PARTS	MATERIALS	QTY	FINISH	TOLERANCE UNLESS SPECIFIED	SHENZHEN XIEJIA ELECTRONICS CO.,LTD.				
8						TITLE: VERTICAL SLIDE SWITCH	UNIT : mm	DRWG NO.: XJ-DR-SS44D03-00		
7	CONTACT CLIP	PBS STRIP	4	Ag PLATED	ISSUE			DATE	DESCRIPTIONS OF REVISION	
6	SPRING	STEEL WIRE	1	TEMPER	WITHIN : 1.5±0.1mm	SCALE: 3:2		DWN	ZHOUYU	2003-3-14
5	STEEL BALL	STEEL	2	NATURAL	OVER : 1.5±0.2mm			CHK'D	FANGYING	2003-3-14
4	TERMINAL	BRASS STRIP	20	Ag PLATED OVER Ni PLATED				APPD	KANGXINAN	2003-3-14
3	BASE	PHENOLIC RESIN	1	NATURAL		ALL MATERIALS MUST BE COMPLIANT TO ROHS				
2	FRAME	STEEL STRIP	1	Ni PLATED						
1	KNOB	POM	1	BLACK						